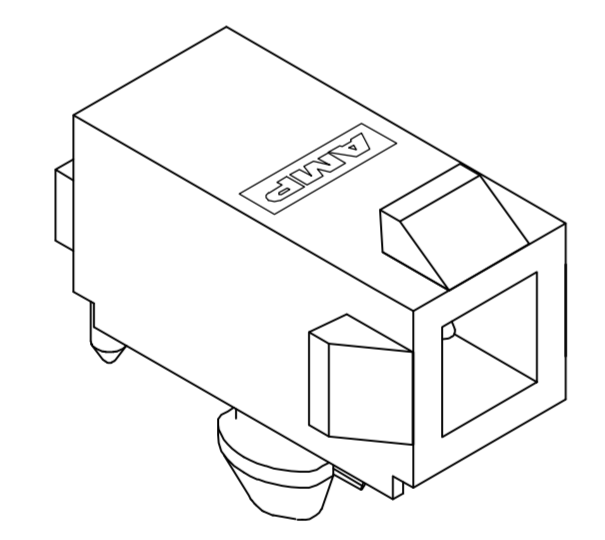
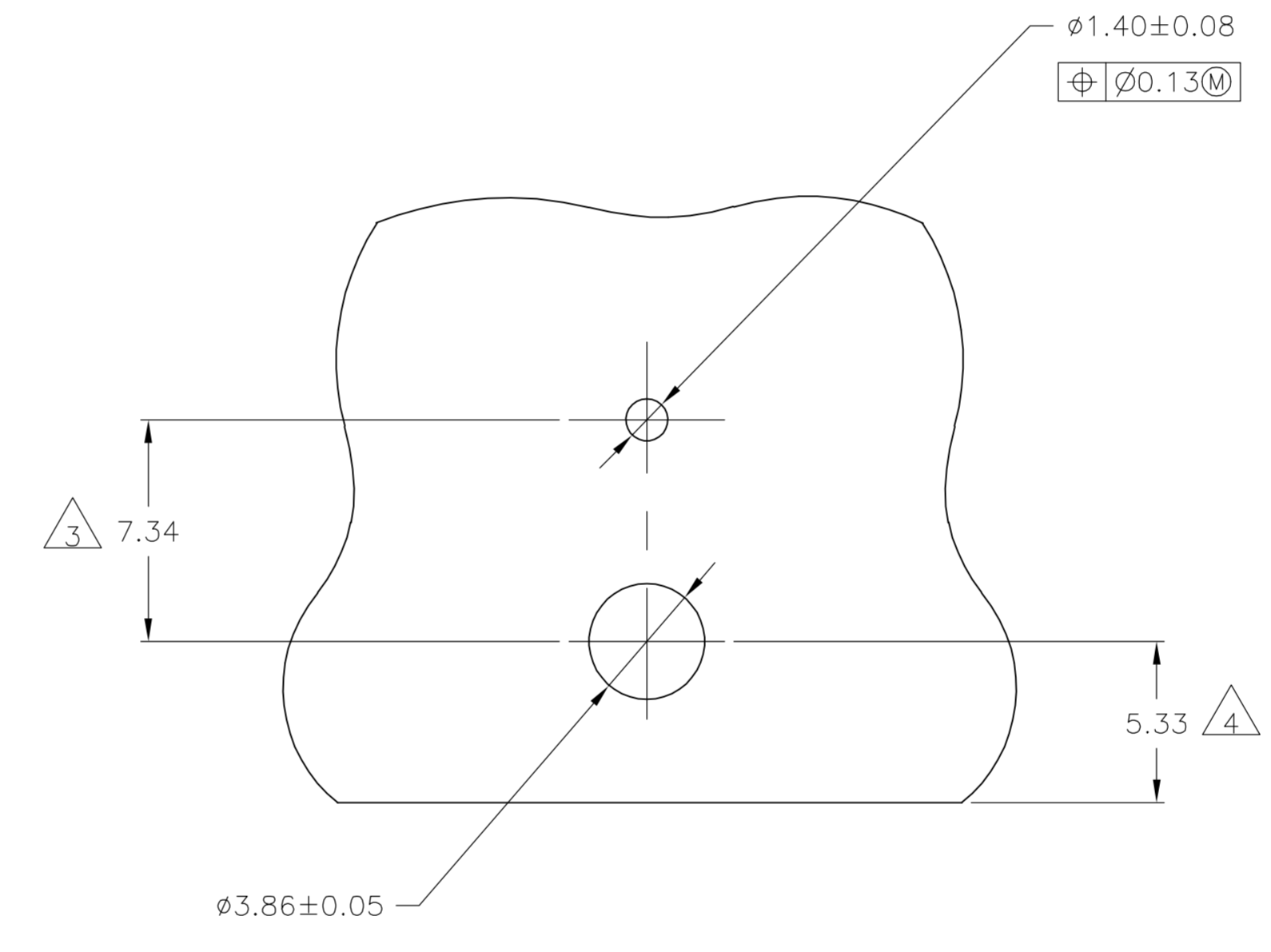


- PINS TO COMPLY WITH AMP SOLDERABILITY SPEC 109-11-3.
- MATES WITH PLUG P/N 172164-1.
- COORDINATE DIMENSION APPLIES FROM CENTER OF ACTUAL FEATURE.
- RECOMMENDED FOR EDGE MOUNTING.
- 0.00381 MIN MATTE TIN LEAD OVER 0.00127 MIN NICKEL ENTIRE LENGTH OF PIN.
- 0.00076 MIN GOLD PLATE IN THE LOCALIZED PLATE AREA, 0.00381 MIN MATTE TIN LEAD IN THE LOCALIZED PLATE AREA, BOTH OVER 0.00127 MIN NICKEL.
- 0.00381 MIN MATTE TIN PLATE OVER 0.00127 MIN NICKEL.
- 0.00076 MIN GOLD PLATE IN THE LOCALIZED GOLD PLATE AREA, 0.00381 MIN MATTE TIN IN THE LOCALIZED TIN PLATE AREA, BOTH OVER 0.00127 MIN NICKEL.



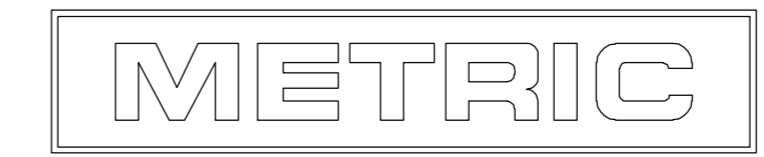
3-DIMENSIONAL MODEL NTS



RECOMMENDED MOUNTING HOLE PATTERN FOR 1.57 THICK P.C. BOARD

0.13	.005	3.68	.145	6.10	.240	-	-
0.08	.003	1.57	.062	5.72	.225	-	-
0.05	.002	1.40	.055	5.33	.210	-	-
0.00381	0.000150	1.00	.039	5.08	.200	12.70	.500
0.00127	0.000050	0.76	.030	4.95	.195	7.34	.289
0.00076	0.000030	0.25	.010	3.86	.152	6.86	.270
MM	IN	MM	IN	MM	IN	MM	IN

CONVERSION TABLE



BRASS	△8	NYLON, UL94V-0	WHITE	1-794374-1
BRASS	△7	NYLON, UL94V-0	WHITE	1-794374-0
BRASS	△6	NYLON, UL94V-0	WHITE	794374-2
BRASS	△5	NYLON, UL94V-0	WHITE	794374-1
MATERIAL	FINISH	MATERIAL	COLOR	PART NO
PIN		HOUSING		
THIS DRAWING IS A CONTROLLED DOCUMENT.				
DIMENSIONS: mm		DWN: K. WHITAKER 17APR97 CHK: R. SWING 17APR97 APVD: R. ORSTAD 17APR97 NAME: Tyco Electronics Corporation, Harrisburg, PA 17105-3608 PRODUCT SPEC: HEADER ASSEMBLY, RIGHT ANGLE, SINGLE CIRCUIT, MINI UNIVERSAL MATE-N-LOK(TM) APPLICATION SPEC: SIZE: A1 CASE CODE: 00779 DRAWING NO: 794374 RESTRICTED TO: WEIGHT: CUSTOMER DRAWING: SCALE: 5:1 SHEET: 1 OF 1 REV: B		